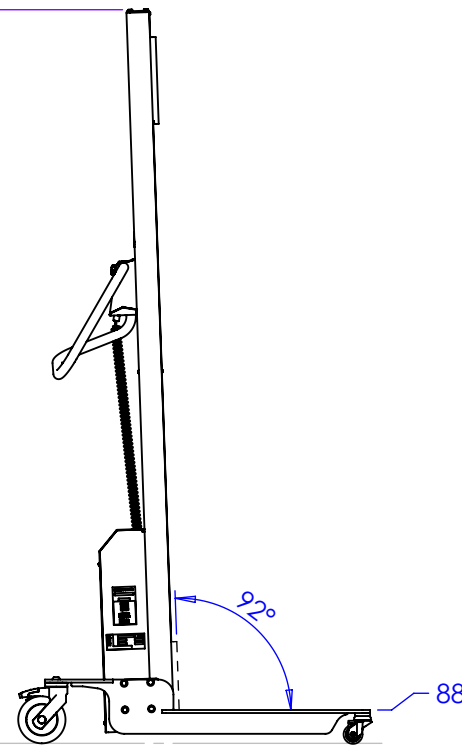
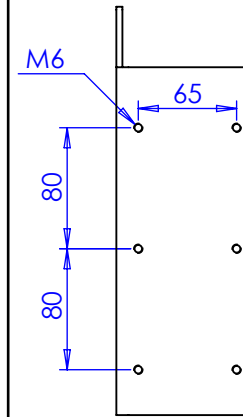


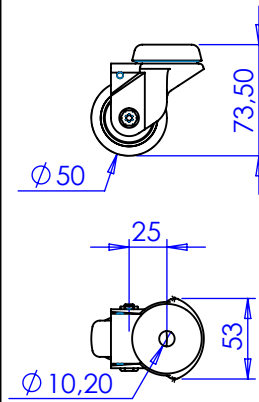
Overall height:  
S : 1560  
M : 1940  
L : 2390



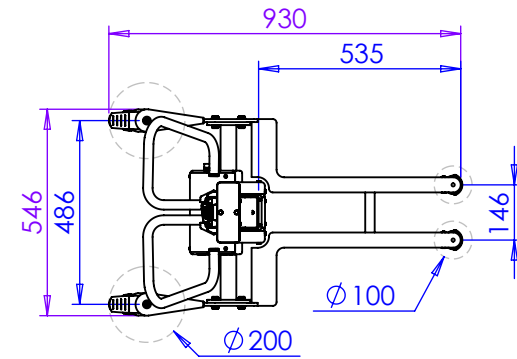
Tool attachment:



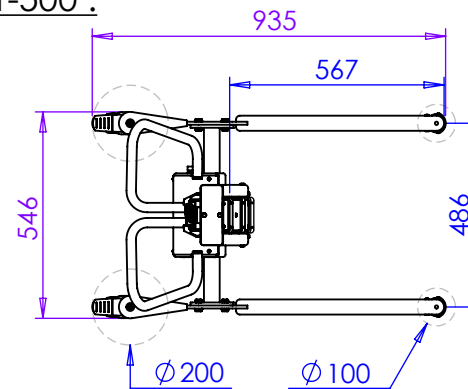
Caster width:



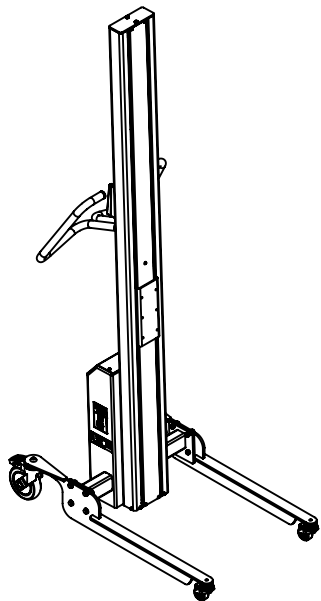
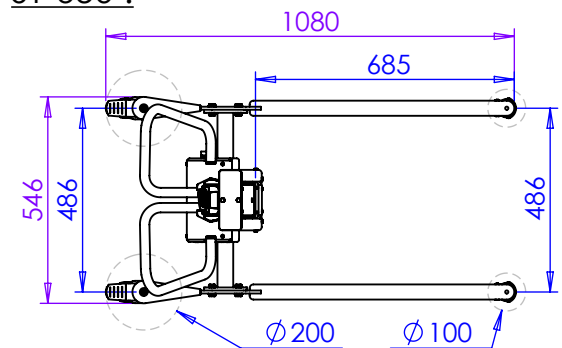
CEN :



ST-500 :



ST-650 :



DESIGNATION  
**WP.85**

EDMOLIFT AB - Jägaregatan 11, SE-871 42 Härmösand, SWEDEN

+46 (0)611-36 87 00 - b2b@edmolift.se

This layout is the property of the manufacturer and may not be reproduced or distributed without it's permission.

Date : 31/03/2026

GENERAL TOLERANCES : ISO 2768-mk

FORMAT A4

SCALE 1:20

