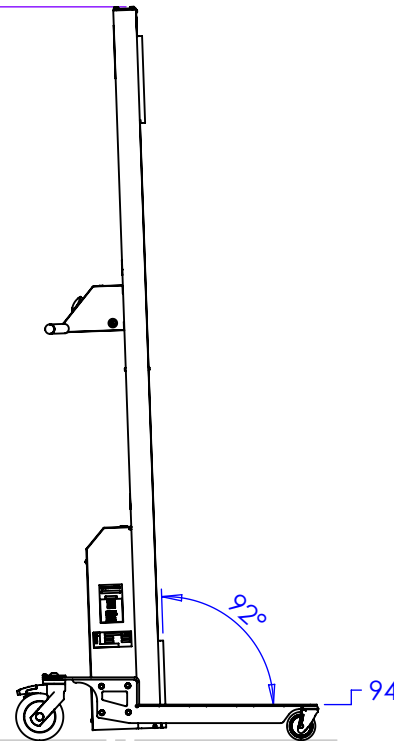
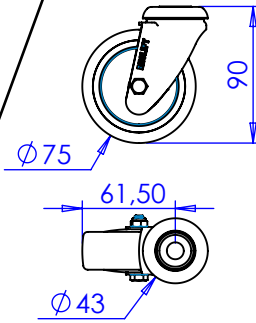
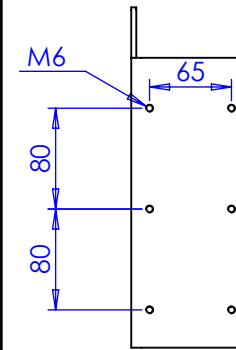


Overall height:
 TP : 1290
 P : 1530
 M : 1940

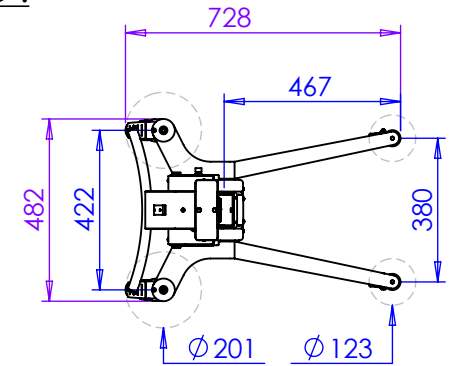


Tool attachment:

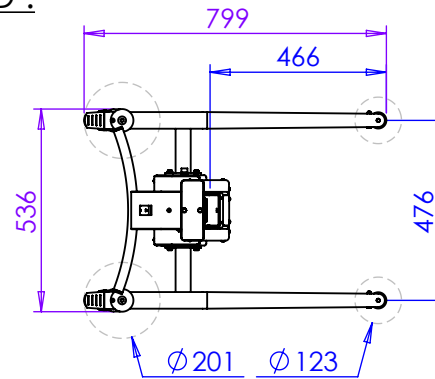


Front caster:

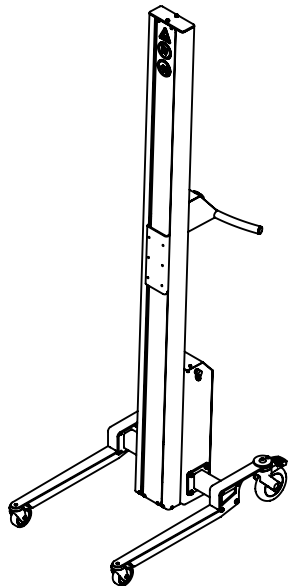
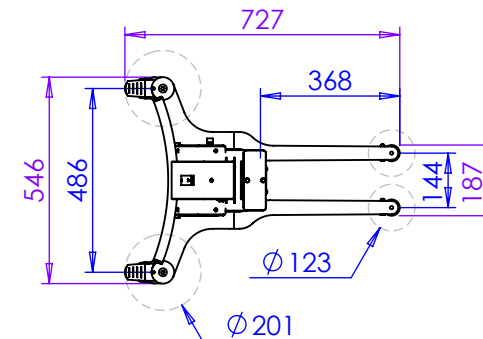
ANG :



STD :



CEN :



DESIGNATION
WP.55

EDMOLIFT AB - Jägaregatan 11, SE-871 42 Härmösand, SWEDEN

+46 (0)611-36 87 00 - b2b@edmolift.se

This layout is the property of the manufacturer and may not be reproduced or distributed without it's permission.

Date : 17/08/2023

GENERAL TOLERANCES : ISO 2768-mk

FORMAT A4

A.B

SCALE 1:20

