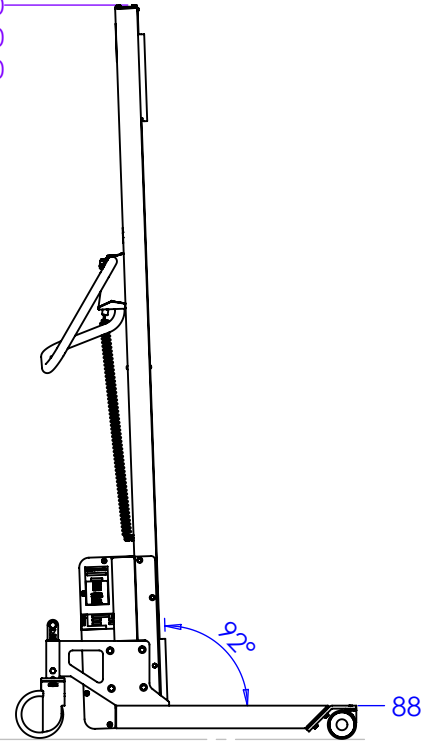
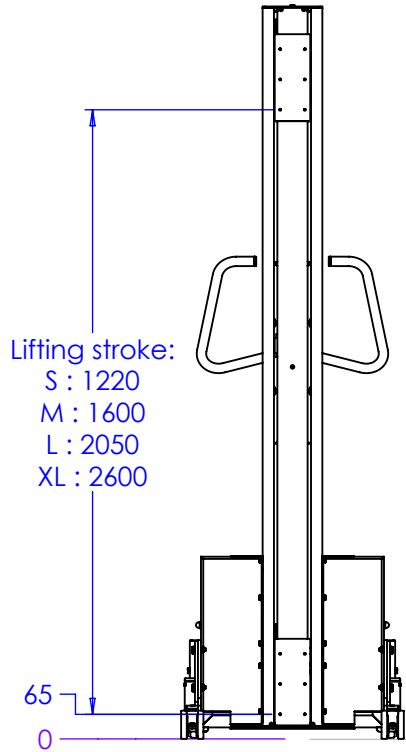
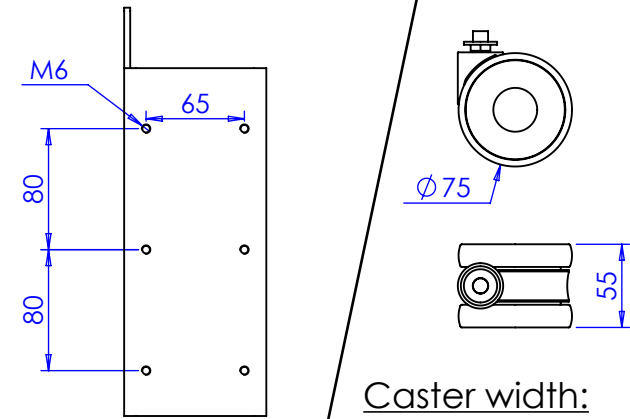


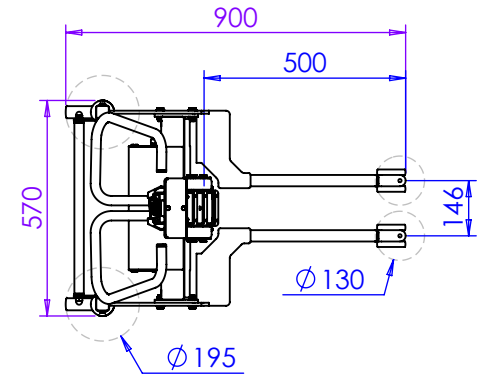
Overall height:
 S : 1560
 M : 1940
 L : 2390
 XL : 2940



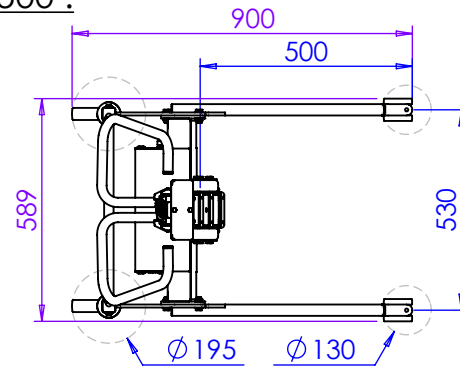
Tool attachment:



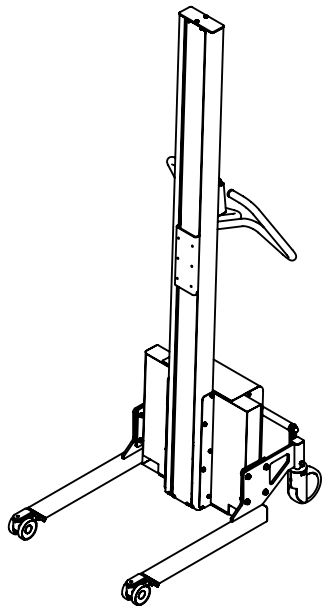
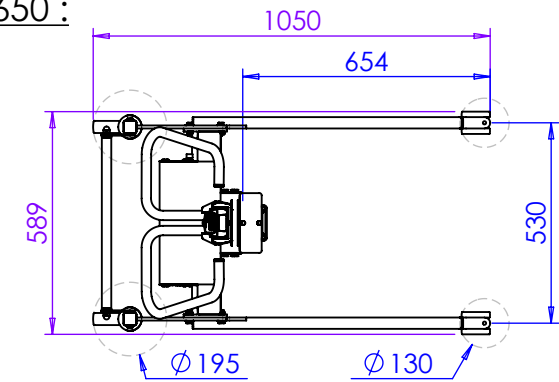
CEN :



ST-500 :



ST-650 :



DESIGNATION
WP.125

EDMOLIFT AB - Jägaregatan 11, SE-871 42 Härmösand, SWEDEN

+46 (0)611-36 87 00 - b2b@edmolift.se

This layout is the property of the manufacturer and may not be reproduced or distributed without it's permission.

Date : 16/08/2023

GENERAL TOLERANCES : ISO 2768-mk

FORMAT A4

A.B

SCALE 1:20

